

# ELM CONCRETE WALL HUNG BASIN

## PRODUCT INFORMATION

**WEIGHT\*** 12 kg

**DIMENSIONS\*** Length: 450mm  
Width: 250mm  
Height: 140mm

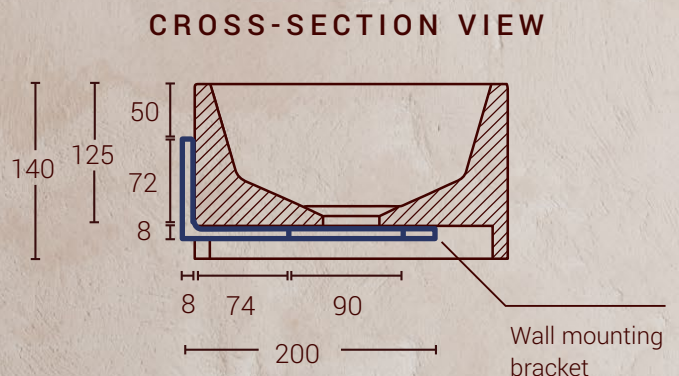
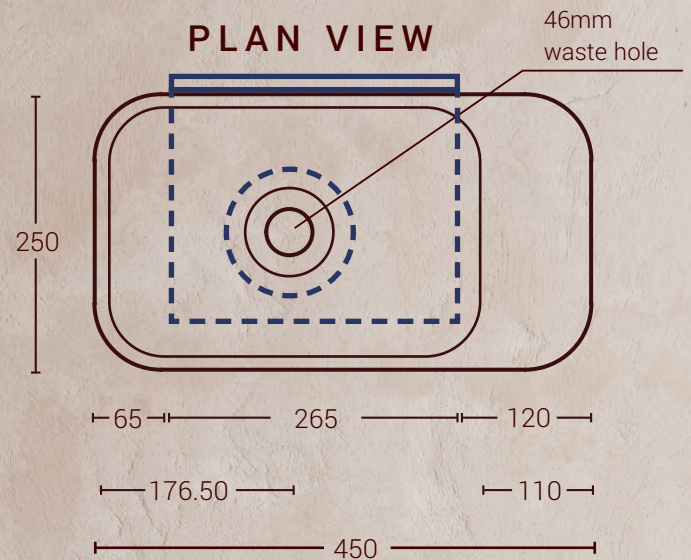
**MATERIAL** Fibre Reinforced Concrete

**FINISH** Satin - Low gloss

**MOUNT TYPE** Surface and Wall

**WASTE** Waste not included.  
46mm diameter waste hole, making it compatible with a 32mm or 40mm waste

**INSTALLATION** To be installed by licensed trades person. Follow the instructions in the Installation Guide. When installing the waste do not over tighten the plug/waste. Refrain from cutting holes in cabinetry and vanities until you have received your basin.



\* All dimensions and weights are estimated. Due to the nature of concrete, there may be slight variation in colour, finish and weight. Do not scale drawing.

# ELM CONCRETE WALL HUNG BASIN W/ TAP HOLE

## PRODUCT INFORMATION

**WEIGHT\*** 12 kg

**DIMENSIONS\*** Length: 450mm  
Width: 250mm  
Height: 140mm

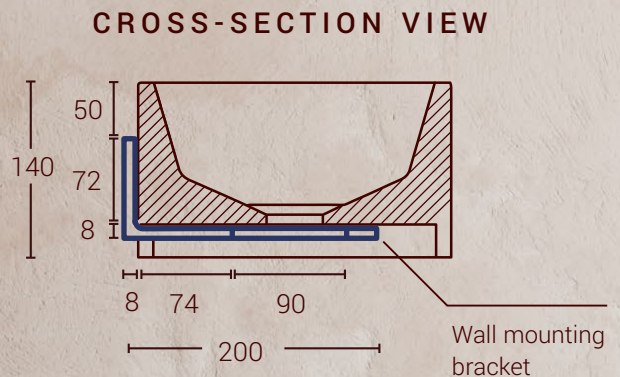
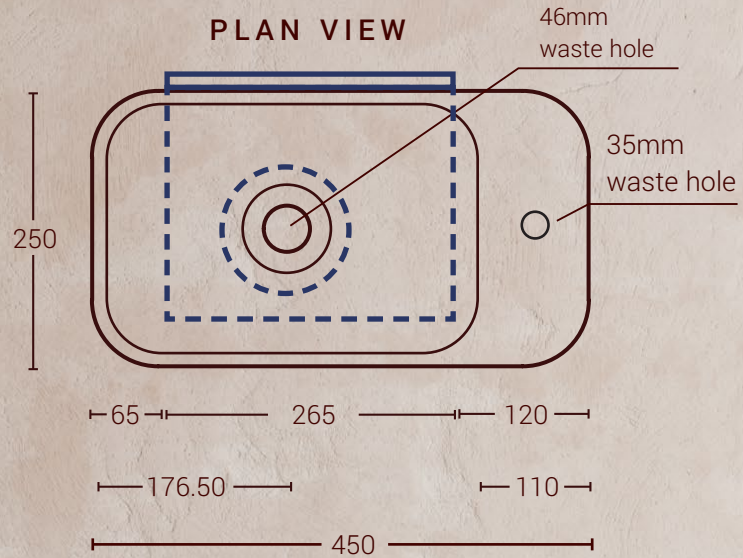
**MATERIAL** Fibre Reinforced Concrete

**FINISH** Satin - Low gloss

**MOUNT TYPE** Surface and Wall

**WASTE** Waste not included.  
46mm diameter waste hole, making it compatible with a 32mm or 40mm waste

**INSTALLATION** To be installed by licensed trades person. Follow the instructions in the Installation Guide. When installing the waste do not over tighten the plug/waste. Refrain from cutting holes in cabinetry and vanities until you have received your basin.



\* All dimensions and weights are estimated. Due to the nature of concrete, there may be slight variation in colour, finish and weight. Do not scale drawing.