

INSTALLATION GUIDE:

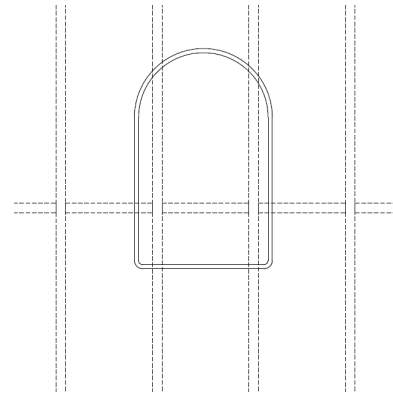
NON-BACKLIT CONCRETE MIRROR

This mirror must be installed by a licensed and registered tradesperson in accordance with the relevant standards. Blend Concrete Design reserve the right to vary specifications or delete models from their product range without prior notification. Dimensions are nominal measurements only.

01

CHECKING LOCATION OF ELEMENTS

Set out where you would like to position the mirror. Locate the structural element that the mirror will be fixed to (ie. timber or metal stud, concrete, brick or blockwork etc).

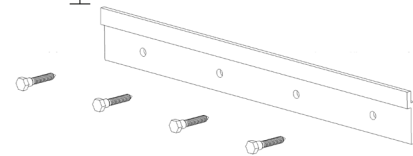


02

FIXING THE CLEAT

Fix the wall cleat into position using appropriate tools. Use a levelling tool to ensure that the cleat has been installed level.

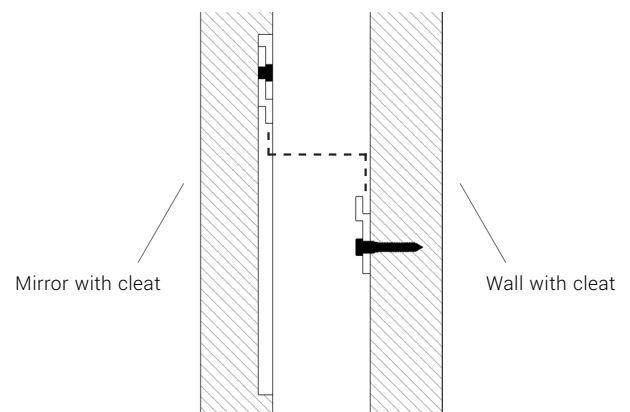
140mm set
down from
top of mirror



03

INSTALLING MIRROR

Lower the mirror onto the wall cleat so that the mirror cleat and the wall cleat interlock.



INSTALLATION GUIDE:

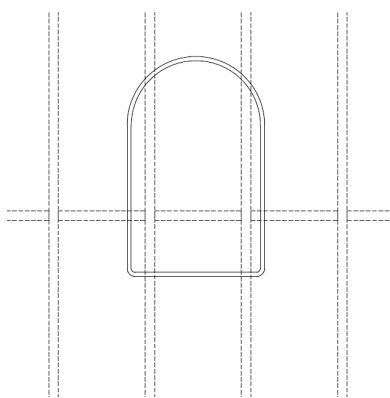
BACKLIT CONCRETE MIRROR

This mirror must be installed by a licensed and registered tradesperson in accordance with the relevant standards. Blend Concrete Design reserve the right to vary specifications or delete models from their product range without prior notification. Dimensions are nominal measurements only.

01

CHECKING LOCATION OF ELEMENTS

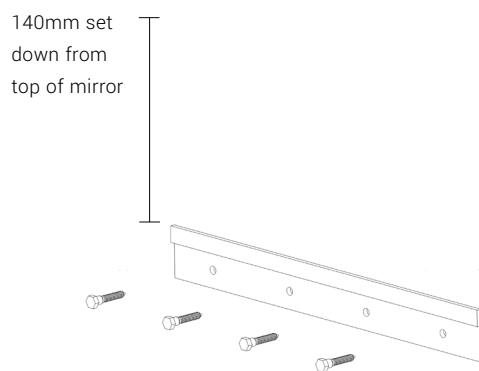
Set out where you would like to position the mirror. Locate the structural element that the mirror will be fixed to (ie. timber or metal stud, concrete, brick or blockwork etc).



02

FIXING THE CLEAT

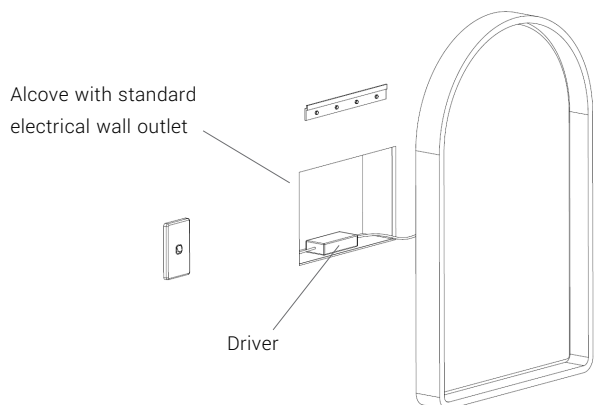
Fix the wall cleat into position using appropriate tools. Use a levelling tool to ensure that the cleat has been installed level.



03

BACKLIGHT WIRING

Engage a qualified and licensed electrician to connect the driver to a power source. Connection type is currently a standard Type I wall plug as supplied. We recommend using a hole or alcove to hide the driver and cables behind the mirror.



04

INSTALLING MIRROR

Lower the mirror onto the wall cleat so that the mirror cleat and the wall cleat interlock.

