



## PRODUCT INFORMATION

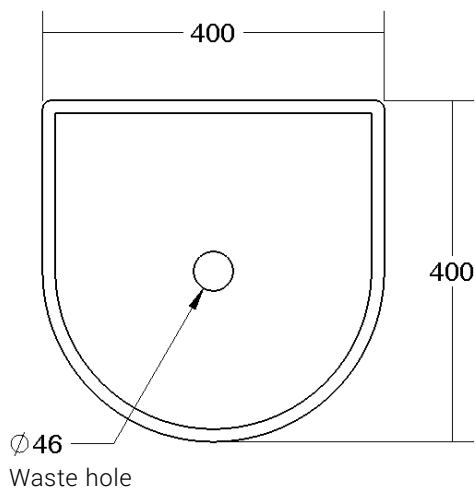
### BASIN

<b>WEIGHT*</b>	12kg
<b>DIMENSIONS*</b>	Length: 400mm Width: 400mm Height: 120mm
<b>MATERIAL</b>	Fibre Reinforced Concrete
<b>FINISH</b>	Satin - Low sheen
<b>MOUNT TYPE</b>	Surface
<b>WASTE</b>	Waste not included. 46mm diameter waste hole, making it compatible with a 32mm or 40mm waste

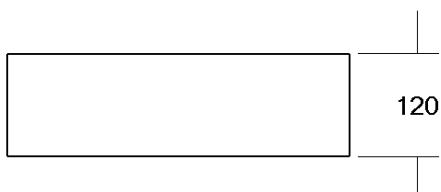
### INSTALLATION

To be installed by licensed trades person. Follow the instructions in the Installation Guide. When installing the waste do not over tighten the plug/waste. Refrain from cutting holes in cabinetry and vanities until you have received your basin.

PLAN VIEW



SIDE VIEW



\* All dimensions and weights are nominal. Due to the nature of concrete, there may be variation in dimensions, colour, finish and weight.