



PRODUCT INFORMATION

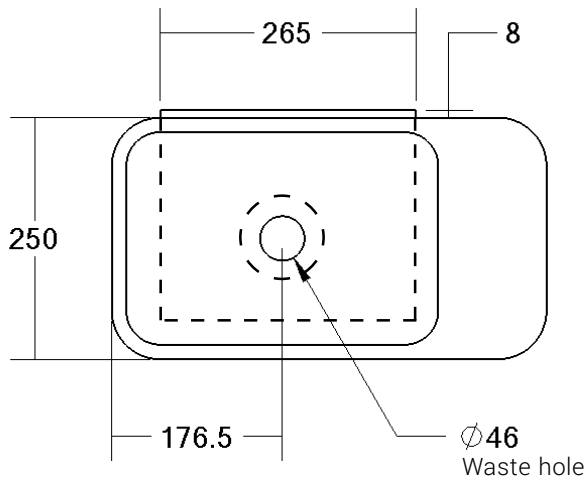
BASIN

WEIGHT*	12kg
DIMENSIONS*	Length: 450mm Width: 250mm Height: 140mm
MATERIAL	Fibre Reinforced Concrete
FINISH	Satin - Low sheen
MOUNT TYPE	Surface and Wall
WASTE	Waste not included. 46mm diameter waste hole, making it compatible with a 32mm or 40mm waste

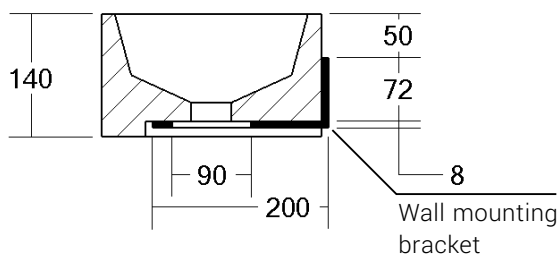
INSTALLATION

To be installed by licensed trades person. Follow the instructions in the Installation Guide. When installing the waste do not over tighten the plug/waste. Refrain from cutting holes in cabinetry and vanities until you have received your basin.

PLAN VIEW



CROSS-SECTION VIEW



* All dimensions and weights are nominal. Due to the nature of concrete, there may be variation in dimensions, colour, finish and weight.



PRODUCT INFORMATION

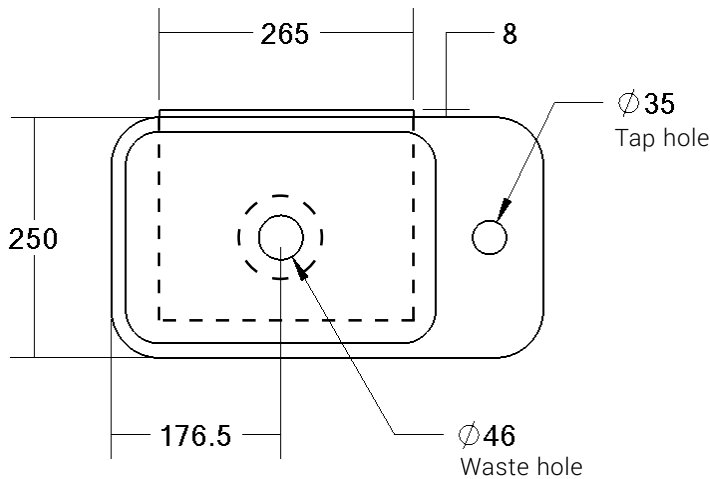
BASIN

WEIGHT*	12kg
DIMENSIONS*	Length: 450mm Width: 250mm Height: 140mm
MATERIAL	Fibre Reinforced Concrete
FINISH	Satin - Low sheen
MOUNT TYPE	Surface and Wall
WASTE	Waste not included. 46mm diameter waste hole, making it compatible with a 32mm or 40mm waste

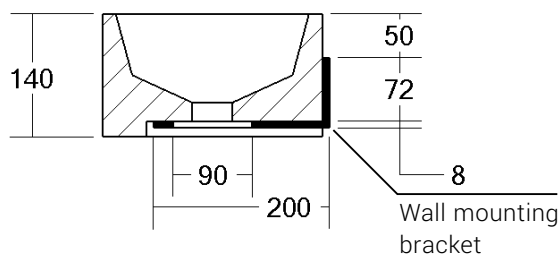
INSTALLATION

To be installed by licensed trades person. Follow the instructions in the Installation Guide. When installing the waste do not over tighten the plug/waste. Refrain from cutting holes in cabinetry and vanities until you have received your basin.

PLAN VIEW



CROSS-SECTION VIEW



* All dimensions and weights are nominal. Due to the nature of concrete, there may be variation in dimensions, colour, finish and weight.