

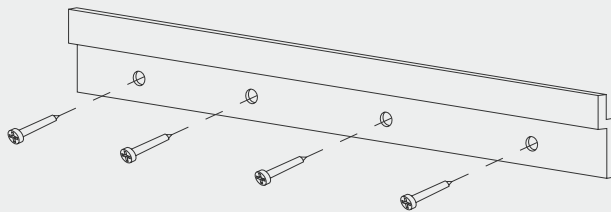
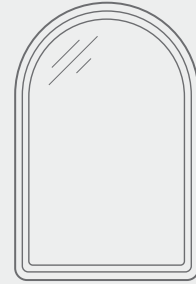
MOUNTING GUIDE

CONCRETE MIRROR

This product must be mounted by a qualified tradesperson. This is a general mounting guide only. Conditions specific to the mounting location will determine the appropriate installation method.

01

Set out where you would like to position the mirror and locate the structural element that you will fix the mirror to (ie. timber or metal stud, concrete, brick or blockwork etc).

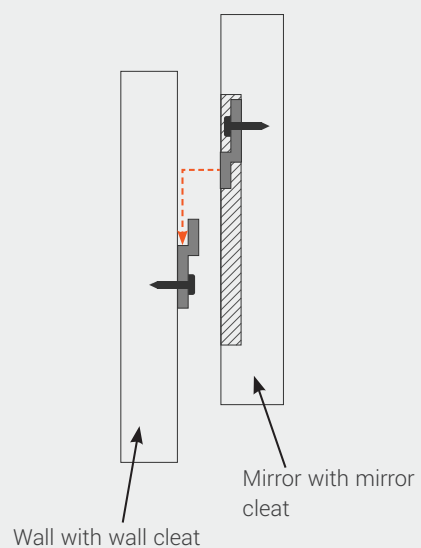


02

Using the appropriate tools, fix the wall cleat into position. It can be helpful to use a levelling tool to ensure that the cleat has been installed level.

03

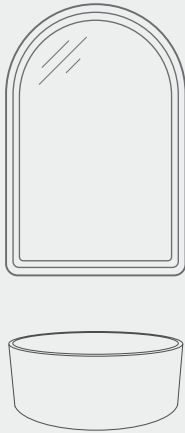
Lower the mirror onto the wall cleat so that the mirror cleat and the wall cleat interlock.



MOUNTING GUIDE

CONCRETE MIRROR WITH LED BACKLIGHTING

This product must be mounted by a qualified tradesperson and electrical works must be complete by a qualified and licensed electrician. This is a general mounting guide only. Conditions specific to the mounting location will determine the appropriate installation method.



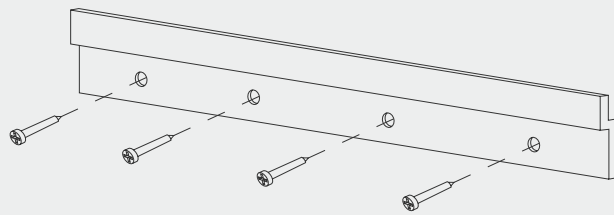
01

Set out where you would like to position the mirror and locate the structural element that you will fix the mirror to (ie. timber or metal stud, concrete, brick or blockwork etc).

Note: You must align the LED cable with the power source, so that the cabling is recessed into the wall and the mirror sits flush.

02

Using the appropriate tools fix the wall cleat into position. It can be helpful to use a levelling tool to ensure that the cleat has been installed level.



03

Engage a qualified and licensed electrician to wire the LEDs to the driver and connect the driver to the power.

04

Lower the mirror onto the wall cleat so that the mirror cleat and the wall cleat interlock.

