



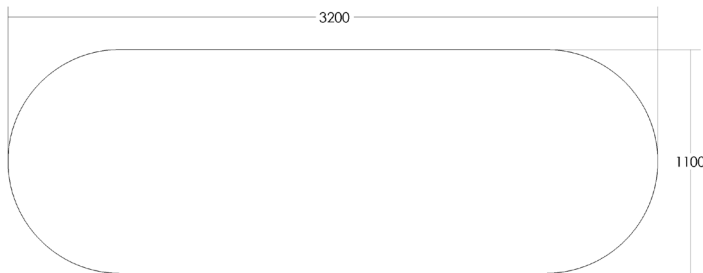
PRODUCT INFORMATION

TABLE

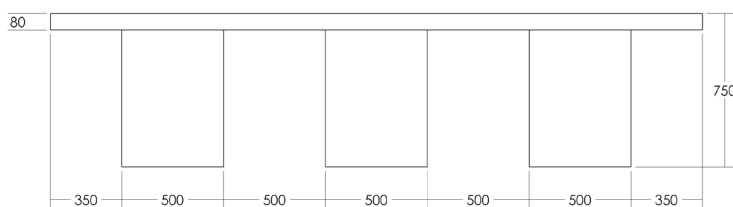
WEIGHT*	Overall: 326kg Leg: 53kg/each Table top: 167kg
DIMENSIONS*	Length: 3200mm Width: 1100mm Height: 750mm Leg Diameter: 500mm
MATERIAL	Fibre Reinforced Concrete
FINISH	Satin - Low sheen
INSTALLATION	Follow the instructions in the Installation Guide

Make sure that you have a sufficient number of people to help with the lift and positioning of the table. Remember to use best practice lifting techniques when you lift the tabletop and legs

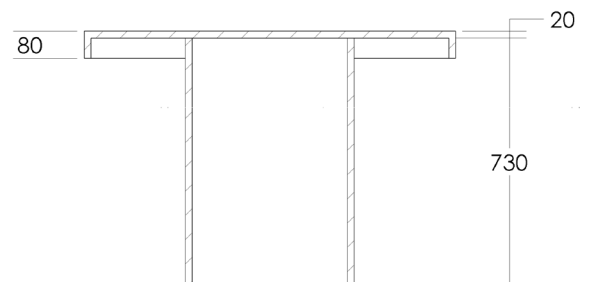
PLAN VIEW



SIDE VIEW



CROSS-SECTION VIEW



* All dimensions and weights are nominal. Due to the nature of concrete, there may be variation in dimensions, colour, finish and weight.

BENCH SEATING

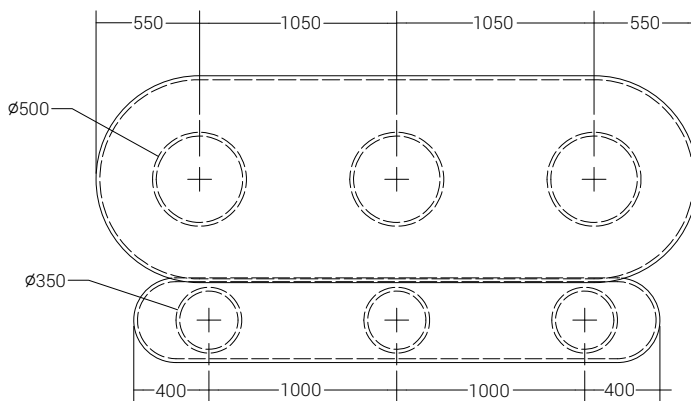
FOR THE UMBRIA CONCRETE DINING TABLE



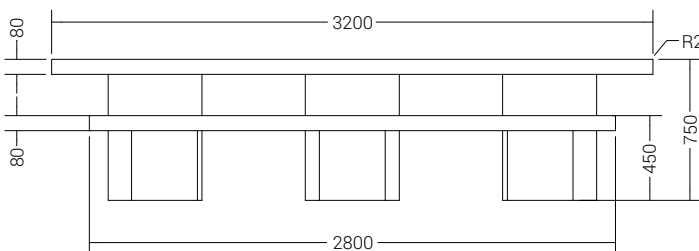
PRODUCT INFORMATION | ONE BENCH SEAT

WEIGHT*	Overall: 145kg
DIMENSIONS*	Length: 2800mm Width: 450mm Height: 450mm
MATERIAL	Fibre Reinforced Concrete
FINISH	Satin - Low sheen
INSTALLATION	Follow the instructions in the Installation Guide*

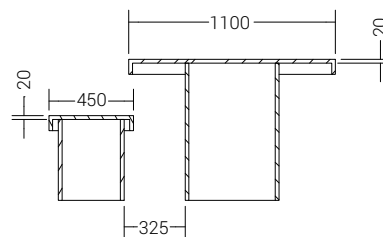
PLAN VIEW



FRONT VIEW



CROSS-SECTION VIEW



* All dimensions and weights are nominal. Due to the nature of concrete, there may be variation in dimensions, colour, finish and weight.

To protect your piece and avoid damage to the surrounding space, you bench seat and table should not be moved after installation unless handled by a professional moving service.